

BURIAL REPORT

From Sexton to Secretary of Cemetery  
(TO BE RECORDED IN CEMETERY RECORD)

Burial or Permit No. 8435

- 1. Place of Death Page Shenandoah Gardenview CARE center  
(County) (Township or City) (Facility)
- 2. Name: Etta Marie Swanson
- 3. Sex: Female 4. Color or Race Caucasian
- 5. Single, Married, Widowed or Divorced Married
- 6. Date of Birth December 7, 1935 7. Age 82 Years \_\_\_\_\_ Months \_\_\_\_\_ Days
- 8. Occupation: \_\_\_\_\_
- 9. Birthplace (State or County) S.E. Yorktown, Page Co. IA
- 10. Name of Father John Clifton Swift
- 11. Birthplace of Father MA
- 12. Maiden Name of Mother Susie Marie Erickson
- 13. Birthplace of Mother MA
- 14. Informant Merrill D. Swanson 15. Address 900 Maple St. Shenandoah, IA
- 16. Date of Death: October 29, 2018

Name of Doctor (or Coroner or Health Officer) Dr. Todd Isaacson M.D.

Address 1 Jack Foster Dr., Shenandoah, Iowa

Place of Burial or Removal Rose Hill Cemetery Date of Burial: 11-2-2018

19. Undertaker John P. Leece Address 405 W. Thomas Ave. Shenandoah, Iowa

BURIAL REPORT

No. 8435

Name Etta Marie Swanson

Burial Date November 2, 2018

Date of Death December 7, 1935

\$ 450

## Field Record of Previous Burials

*These sheets to be used on the grounds to secure data which will be copied permanently in Cemetery Lot Record.*

NOTE: Each small square represents a square foot of lot surface. For convenience each tenth foot is indicated by a heavy line. To make a record of previous burials, draw a diagram, with pencil, of each lot, beginning with Lot No. 1, and use a separate sheet for each lot. This can be done in the office from the plat and the owner's name and other data as to ownership secured from deed record. These blanks will then be taken to the cemetery and a record will be made from the lots, of the names of those buried and location of grave on lot. A number corresponding to name must be placed on plat to identify grave.

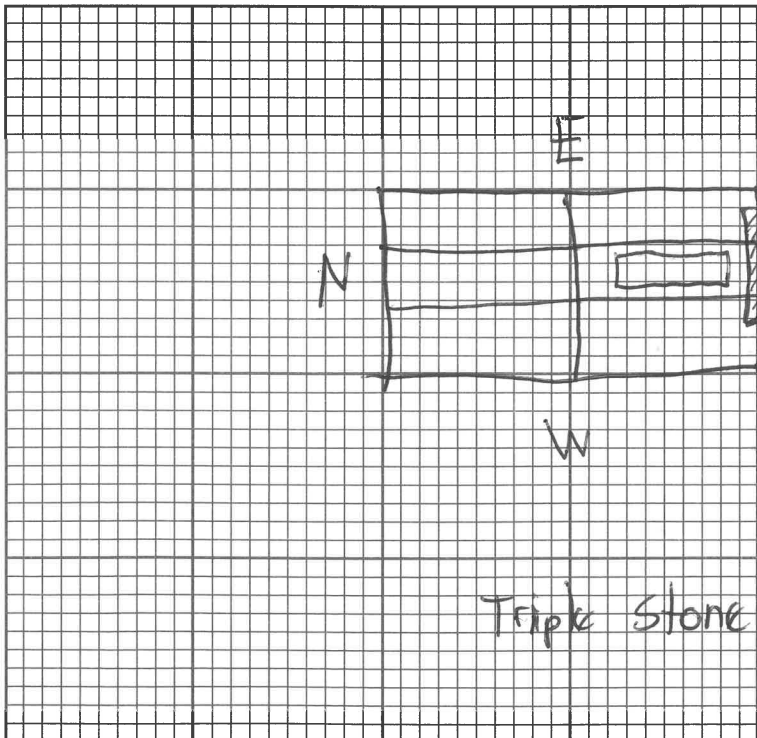
Description Owned South view, Block 3, S 2 Lot No. 7, \_\_\_\_\_ Ft.  
Addition, Sub-division or Section Part of Lot Dimensions

Name of Owner Merrill Address \_\_\_\_\_ Date Sold \_\_\_\_\_

Remarks: Concrete Vault Price, \$ \_\_\_\_\_

13

INDICATE DIRECTION BY N. S. E. OR W.



Grave No.	FULL NAME OF DECEASED	REMARKS
1	Etta Swanson	
2	2' from S lot	
3	line to edge of grave	
4		
5	6' from E lot line	
6	in S 2 to center of	
7	grave	
8		
9		
10		
11	Nishga	
12	11/2/18	