

**BURIAL REPORT**  
From Sexton to Secretary of Cemetery  
(TO BE RECORDED IN CEMETERY RECORD)

Burial or Permit No. 8281/8282 ©

1. Place of Death \_\_\_\_\_  
(County) (Township or City) (Facility)
2. Name: Russell and Annrose Maddox
3. Sex: \_\_\_\_\_ 4. Color or Race White
5. Single, Married, Widowed or Divorced: Married
6. Date of Birth Russell - 08/19/1933 7. Age    Years    Months    Days  
Annrose - 10/30/1936
8. Occupation: \_\_\_\_\_
9. Birthplace (State or County) \_\_\_\_\_
10. Name of Father \_\_\_\_\_
11. Birthplace of Father \_\_\_\_\_
12. Maiden Name of Mother: \_\_\_\_\_
13. Birthplace of Mother \_\_\_\_\_
14. Informant Jeff Maddox 15. Address: 803 Willow Lk, Evans, Georgia 30809-8001
16. Date of Death: \_\_\_\_\_ Russel 03/30/2012 - Annrose 02/22/2016
17. Name of Doctor (or Coroner or Health Officer)    18. Address
19. Place of Burial or Removal Rose Hill Cemetery 20. Date of Burial: 07/02/2016
21. Undertaker Hackett Livingston Funeral Home
22. Address 208 W. Clarinda Ave, Shenandoah, Iowa 51601

*We only handled the burial.  
Services were not held here in Shenandoah.*

*If you need more info call the  
Informet Jeff Maddox e 404-538-6726.*

*No folder.*

# BURIAL REPORT

No. 8281/8282

Name: Russell & Annrose Maddox

Burial Date 7/02/2016

Date of Death 03/30/2012 & 02/22/2016

## Field Record of Previous Burials

*These sheets to be used on the grounds to secure data which will be copied permanently in Cemetery Lot Record.*

NOTE: Each small square represents a square foot of lot surface. For convenience each tenth foot is indicated by a heavy line. To make a record of previous burials, draw a diagram, with pencil, of each lot, beginning with Lot No. 1, and use a separate sheet for each lot. This can be done in the office from the plat and the owner's name and other data as to ownership secured from deed record. These blanks will then be taken to the cemetery and a record will be made from the lots, of the names of those buried and location of grave on lot. A number corresponding to name must be placed on plat to identify grave.

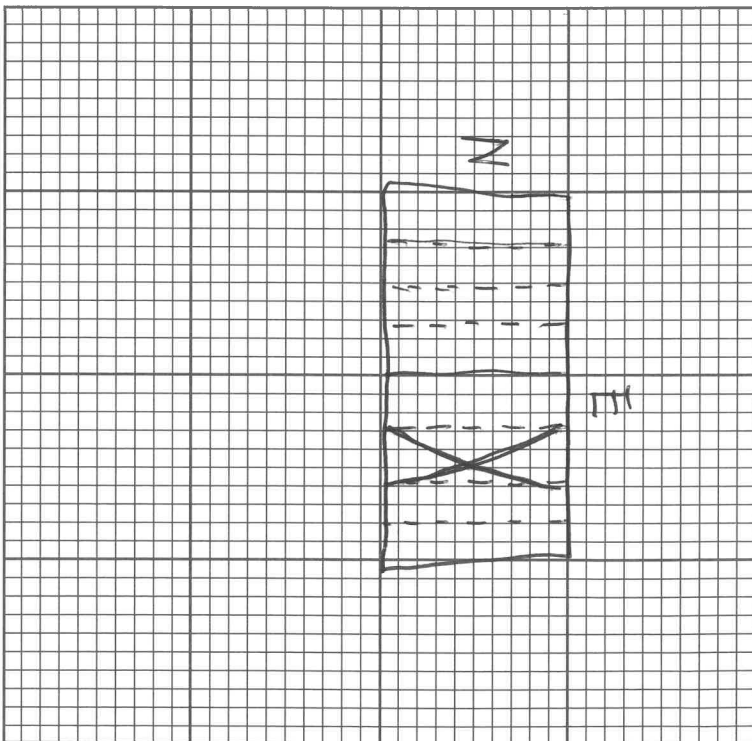
Description Owned Memorial, Block 4, 5 1/2 Part of Lot Lot No. 51, \_\_\_\_\_ Ft.  
Addition, Sub-division or Section Dimensions

Name of Owner Maddox Address \_\_\_\_\_ Date Sold 3/1984

Remarks: cremation Price, \$ \_\_\_\_\_

38

INDICATE DIRECTION BY N. S. E. OR W.



Grave No.	FULL NAME OF DECEASED	REMARKS
1		
2	Annrose Maddox	
3	Russel Maddox	
4	5' 12" of 5 1/2	
5	to center of	
6		
7	18" from E lot	
8	line to center of	
9	grave.	
10		
11	Hackett Livingston	
12	Burial 7/2/2016	